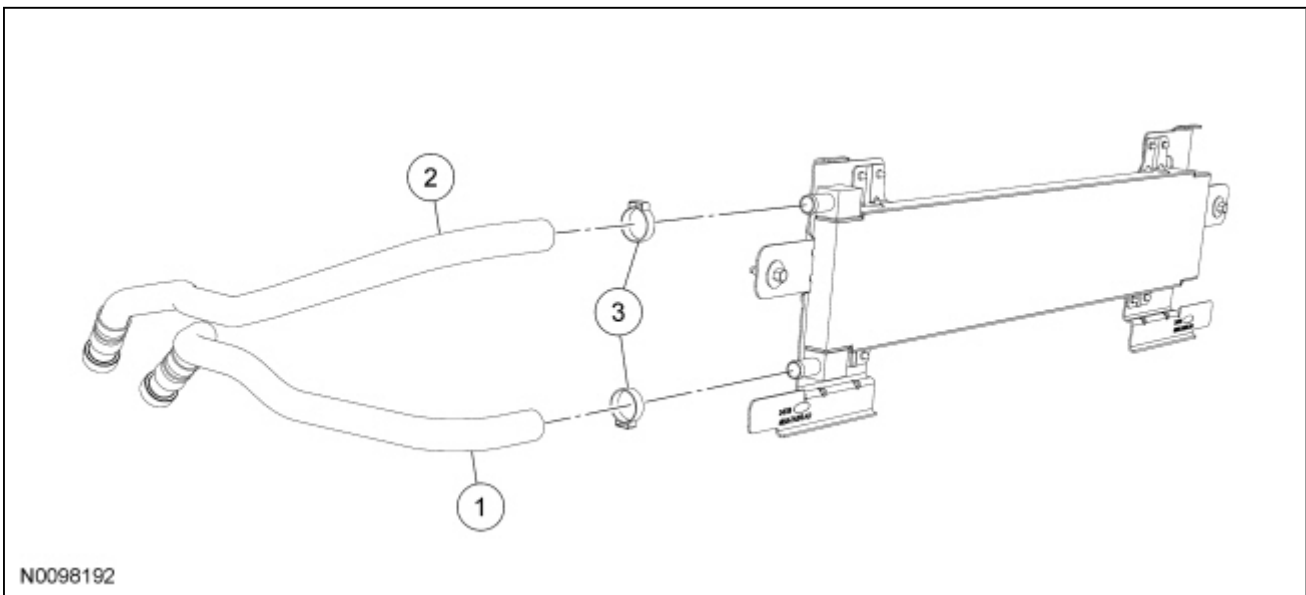


Transmission Fluid Cooler Hoses

Material

Item	Specification
MERCON® V Automatic Transmission Fluid XT-5-QM (or XT-5-QMC) (US); CXT-5-LM12 (Canada)	MERCON® V



Item	Part Number	Description
1	7W063	Transmission fluid cooler inlet hose
2	7W064	Transmission fluid cooler outlet hose
3	376240	Transmission fluid cooler hose-to-cooler clamps

Removal

1. Remove the transmission fluid cooler. For additional information, refer to [Transmission Fluid Cooler](#) in this section.
2. Remove and discard the transmission fluid cooler hose-to-cooler clamps.
3. Remove the transmission fluid cooler hoses from the transmission fluid cooler.

Installation

1. Install the transmission fluid cooler hoses onto the transmission fluid cooler.
2. Install 2 new transmission fluid cooler hose-to-cooler clamps.
3. Install the transmission fluid cooler. For additional information, refer to [Transmission Fluid Cooler](#) in this section.
4. Fill the transmission with fluid and verify correct operation. For additional information, refer to Transmission Fluid Level Check in [Section 307-01](#).

